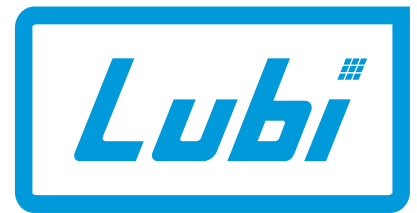


LIP SERIES

Multistage Coolant Pumps 50 Hz



Passion for Pumps



LIP 100

Multistage Coolant Pumps



MATERIAL OF CONSTRUCTION

- Adapter : Cast Iron FG260
- Impeller : Cast Iron FG260
- Bowl : Cast Iron FG260
- Shaft : S.S. 410
- Bush Bearing : Bronze LTB4

MOC OPTIONS

- Adapter : Bronze LTB2
- Impeller : Aluminum LM6 / Bronze LTB2
- Bowl : Bronze LTB2 / S.S. 304
- Bush Bearing : Sic / Sic

APPLICATIONS

- Types of Fluids - Water
 - Cooling Emulsion
 - Cooling/Cutting Oils
- Kinematic Viscosity - 40 CST
 Pumping Temperature - 0-80°C

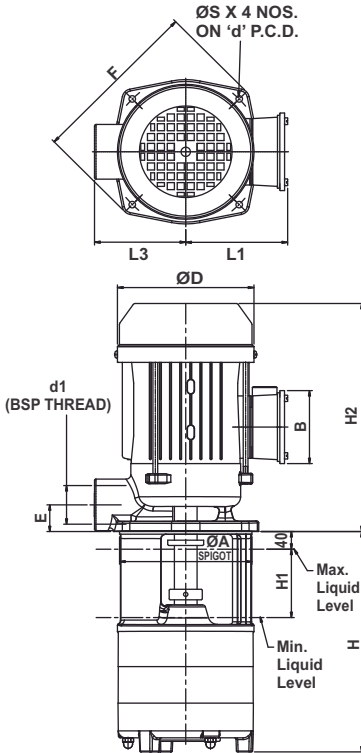
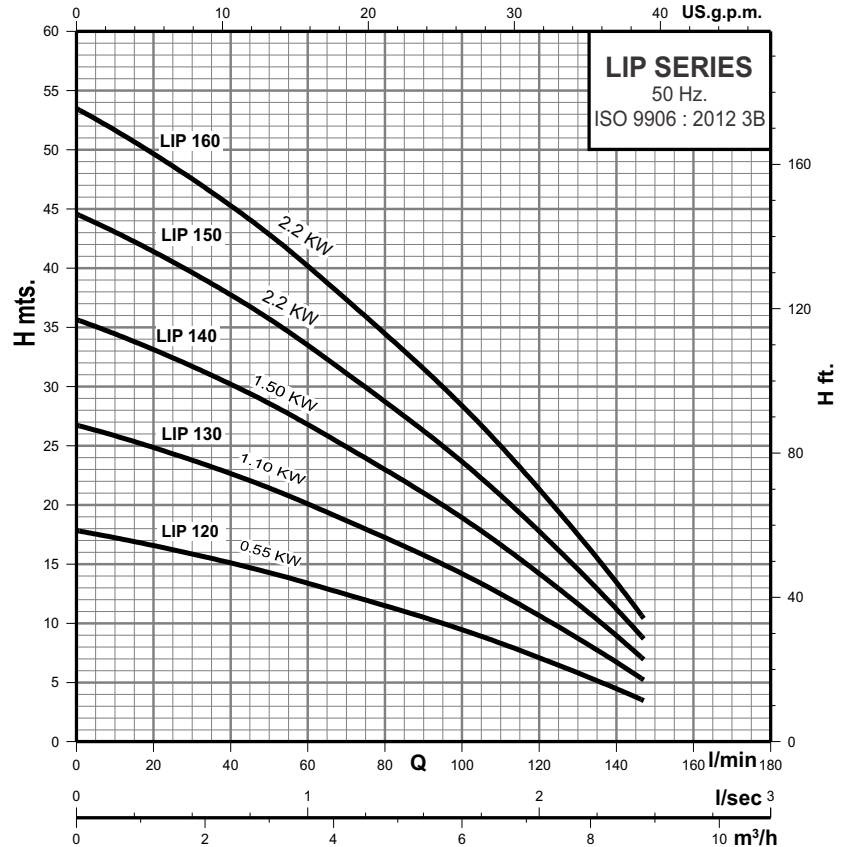
SPECIAL VERSIONS

- Available :
- With dual speed motor/Frequency drive.
 - With Flame Proof Motors to pump hazardous liquids

USED ON

All CNC lathe machine and machining centres. Most suited for trough tool cooling, deep hole drilling etc. Also suitable for Industrial washing.

PERFORMANCE CURVE



DIMENSIONS & WEIGHTS

Model	Stage	HP	KW	Frame	Immersion Depth (H)	H1 Max.	H2	A +0.00/-0.50	B	D	ØS	d +0.0/-0.2	d1 (BSP)	E	F	L1 Max.	L3	Volume	Net Weight In Kg.	Gross Weight In Kg.
LIP 120A	2	0.75	0.55	71	215	160	262	140	83	145	7	160	G1"	30	180	108	92	0.038	19.0	22.0
LIP 120B					265	225												0.038	21.0	23.0
LIP 120C					315	275												0.038	23.0	25.0
LIP 130A	3	1.5	1.10	71	230	130	262	140	83	145	7	160	G1"	30	180	108	92	0.038	20.5	22.5
LIP 130B					300	160												0.038	21.5	24.0
LIP 130C					350	210												0.038	22.0	24.0
LIP 140A	4	2.0	1.50	80	265	150	324	140	89	160	7	160	G1"	30	180	117	103	0.060	27.0	29.0
LIP 140B					335	225												0.060	28.5	31.0
LIP 140C					385	275												0.060	30.0	32.0
LIP 150A	5	3.0	2.20	90	320	150	360	140	89	175	7	160	G1"	30	180	124	103	0.068	34.0	36.0
LIP 150B					390	220												0.068	35.5	38.0
LIP 150C					440	270												0.068	36.5	39.0
LIP 160A	6	3.0	2.20	90	360	150	360	140	89	175	7	160	G1"	30	180	124	103	0.068	40.0	43.0
LIP 160B					430	330												0.068	42.0	45.0
LIP 160C					480	380												0.068	44.0	47.0

LIP 250

Conventional Coolant Pumps



MATERIAL OF CONSTRUCTION

- Adapter : Cast Iron FG260
- Impeller : Cast Iron FG260
- Bowl : Cast Iron FG260
- Shaft : S.S. 410
- Bush Bearing : Bronze LTB4

MOC OPTIONS

- Adapter : Bronze LTB2
- Impeller : Aluminum LM6 / Bronze LTB2
- Bowl : Bronze LTB2 / S.S. 304
- Bush Bearing : Sic / Sic

APPLICATIONS

- Types of Fluids - Water
 - Cooling Emulsion
 - Cooling/Cutting Oils
- Kinematic Viscosity - 90mm²/s
 Pumping Temperature - 0-80°C

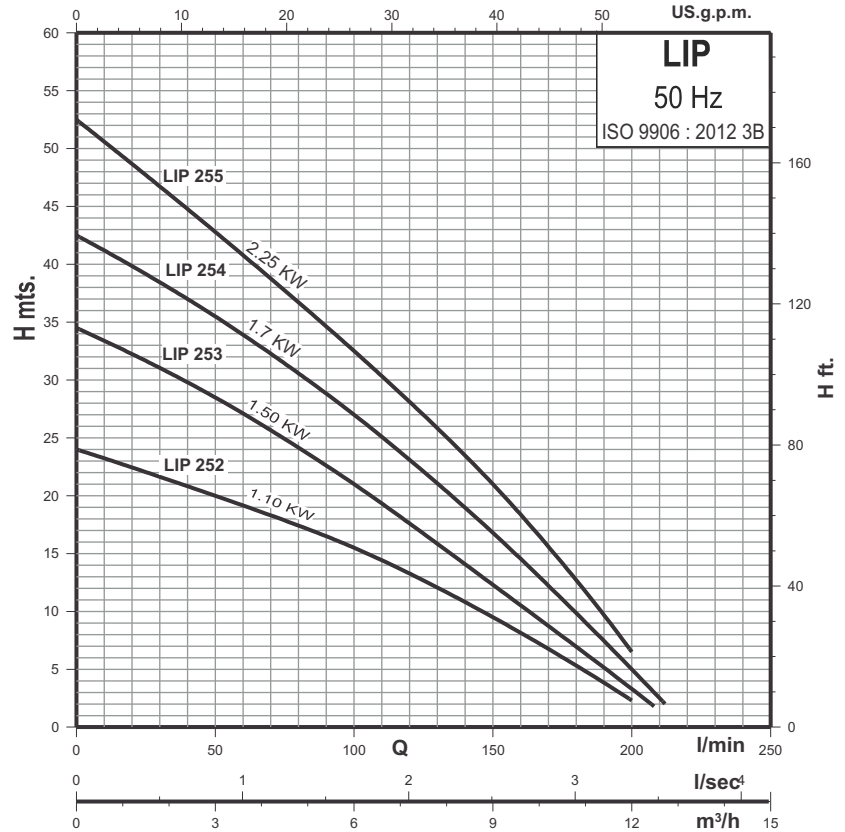
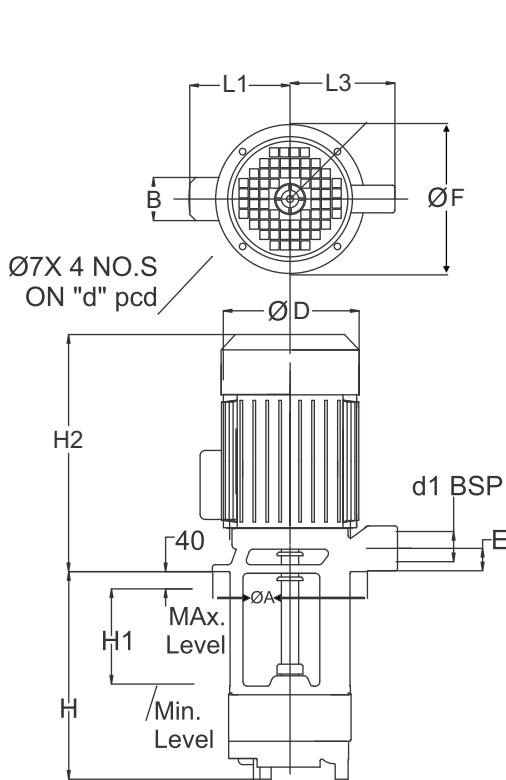
SPECIAL VERSIONS

- Available :
- With Flame Proof Motors to pump hazardous liquids
 - With dual speed motor

USED ON

All CNC lathe machine and machining centres. Most suited for trough tool cooling, deep hole drilling etc. Also suitable for Industrial washing.

PERFORMANCE CURVE



DIMENSIONS & WEIGHTS

Model	Stage	HP	KW	Frame	Immersion Depth (H)	H1 Max.	H2	A +0.00/-0.50	B	D	d +0.0/-0.2	d1 (BSP)	E	F	L1 Max.	L3	Net Weight In Kg.	Gross Weight In Kg.
LIP 252A	2	1.5	1.10	80	150	95	357	140	89	160	160	G1¼"	30	186.5	117	102.5	28	30
LIP 252B					205	135											32	34
LIP 252C					280	205											26	28
LIP 252D					330	255											36	38
LIP 253A	3	2.0	1.50	90	265	190	391.5	140	89	178	160	G1¼"	30	186.5	126	102.5	33	35
LIP 253B					335	260											34	36
LIP 253C					385	310											37	39
LIP 254A	4	2.30	1.70	90	320	240	391.5	140	89	178	160	G1¼"	30	186.5	126	102.5	44	46
LIP 254B					390	310											49	51
LIP 254C					440	360											47	49
LIP 255A	5	3.0	2.25	90	375	295	391.5	140	89	178	160	G1¼"	30	186.5	126	102.5	52	54
LIP 255B					445	365											55	57
LIP 255C					495	415											56	58

LIP 300

Conventional Coolant Pumps



MATERIAL OF CONSTRUCTION

- Adapter : Cast Iron FG260
- Impeller : Velox 553/AL
- Impeller Cover : Velox 553/CI
- Shaft : S.S. 410

MOC OPTIONS

- Adapter : Gunmetal / S.S.
- Impeller : Gunmetal / C.I. / S.S.
- Impeller Cover : Gunmetal

APPLICATIONS

- Types of Fluids - Water
- Cooling Emulsion
- Cooling/Cutting Oils
- Kinematic Viscosity - 90mm²/s
- Pumping Temperature - 0-60°C

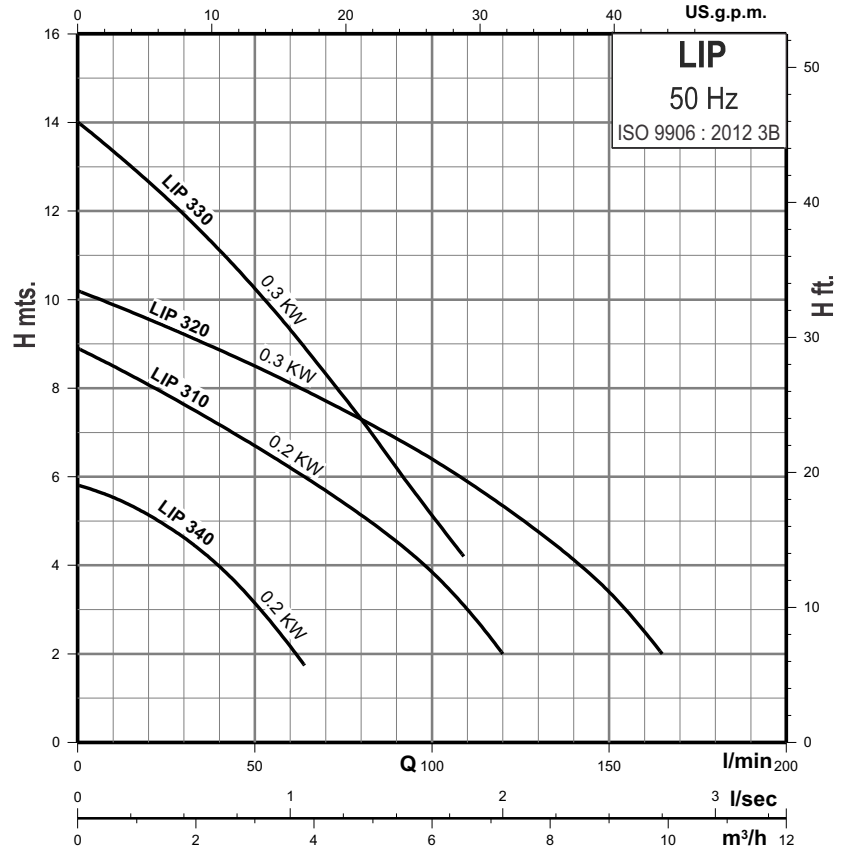
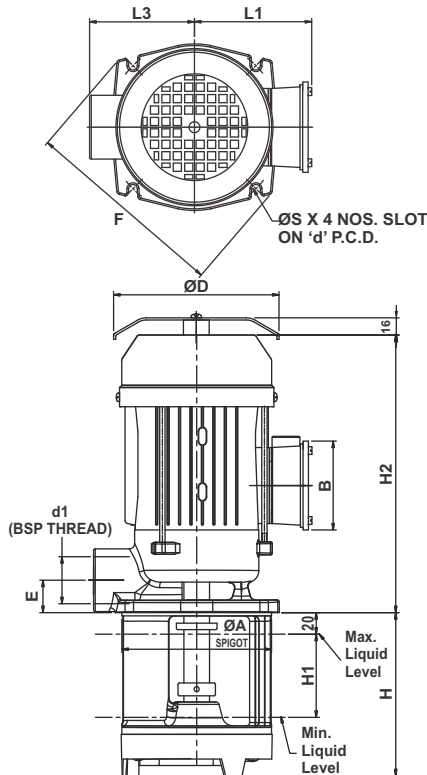
SPECIAL VERSIONS

- Available :
- ON/OFF Rotary switch
 - With Flame Proof Motors to pump hazardous liquids
 - For Frequent ON/OFF Cycle * For any immersion depth
 - For high viscous liquids * To handle hot liquids up to 100°C

USED ON

All CNC lathe machine and machining centres. Most suited for trough tool cooling, deep hole drilling etc. Also suitable for Industrial washing.

PERFORMANCE CURVE



DIMENSIONS & WEIGHTS

Model	Stage	HP	KW	Frame	Immersion Depth (H)	H1 Max.	H2	A +0.00/-0.50	B	D	d +0.0/-0.2	d1 (BSP)	E	F	L1 Max.	L3	Net Weight In Kg.	Gross Weight In Kg.
LIP 310A	1	0.25	0.20	63	170	80	246	140	83	132	160	G1"	32	180	102	92	9	10
LIP 310B					220	130											10	11
LIP 310C					270	180											12	13
LIP 320A	1	0.40	0.30	63	170	80	246	140	83	132	160	G1"	32	180	102	92	13	14
LIP 320B					220	130											14	15
LIP 320C					270	180											14	16
LIP 320D					350	260											19	20
LIP 330A	1	0.40	0.30	63	200	95	241	140	83	132	160	G1"	32	186	102	92	11	12
LIP 330B					250	145											11.5	12.5
LIP 330C					300	195											12	13
LIP 340A	1	0.20	0.15	63	120	30	229	100	83	132	115	G3/4"	32	138	102	80	3.5	4.5
LIP 340B					170	80											4	5
LIP 340C					220	130											5.5	6.5
LIP 340D					270	180											6	7.2
LIP 340E					350	260											6.5	7.8

LUBI INDUSTRIES LLP

Near Kalyan Mills, Naroda Road, Ahmedabad-380 025, INDIA.
Phone : +91 - 79 - 30610100, Fax No. :+91 - 79 - 30610300.

Sales Enquiries: indsales@lubipumps.com

www.lubipumps.com

Product Improvement is a continuous process at 'LUBI'. The data given in this publication is therefore subject to revision.

00.00.111216.0096



ISO 9001



ISO 14001

Customer Care Number : 9824200800