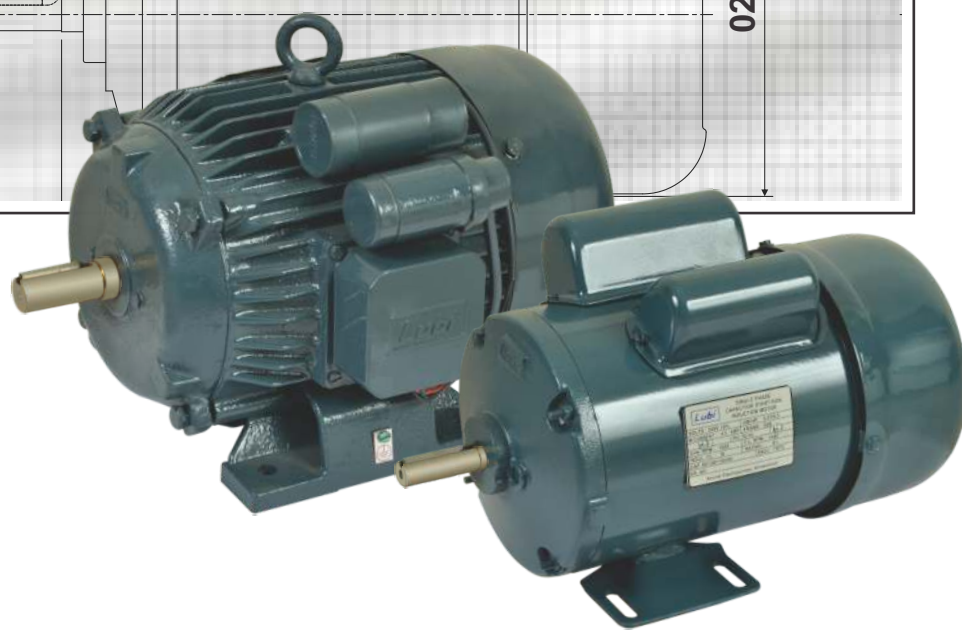
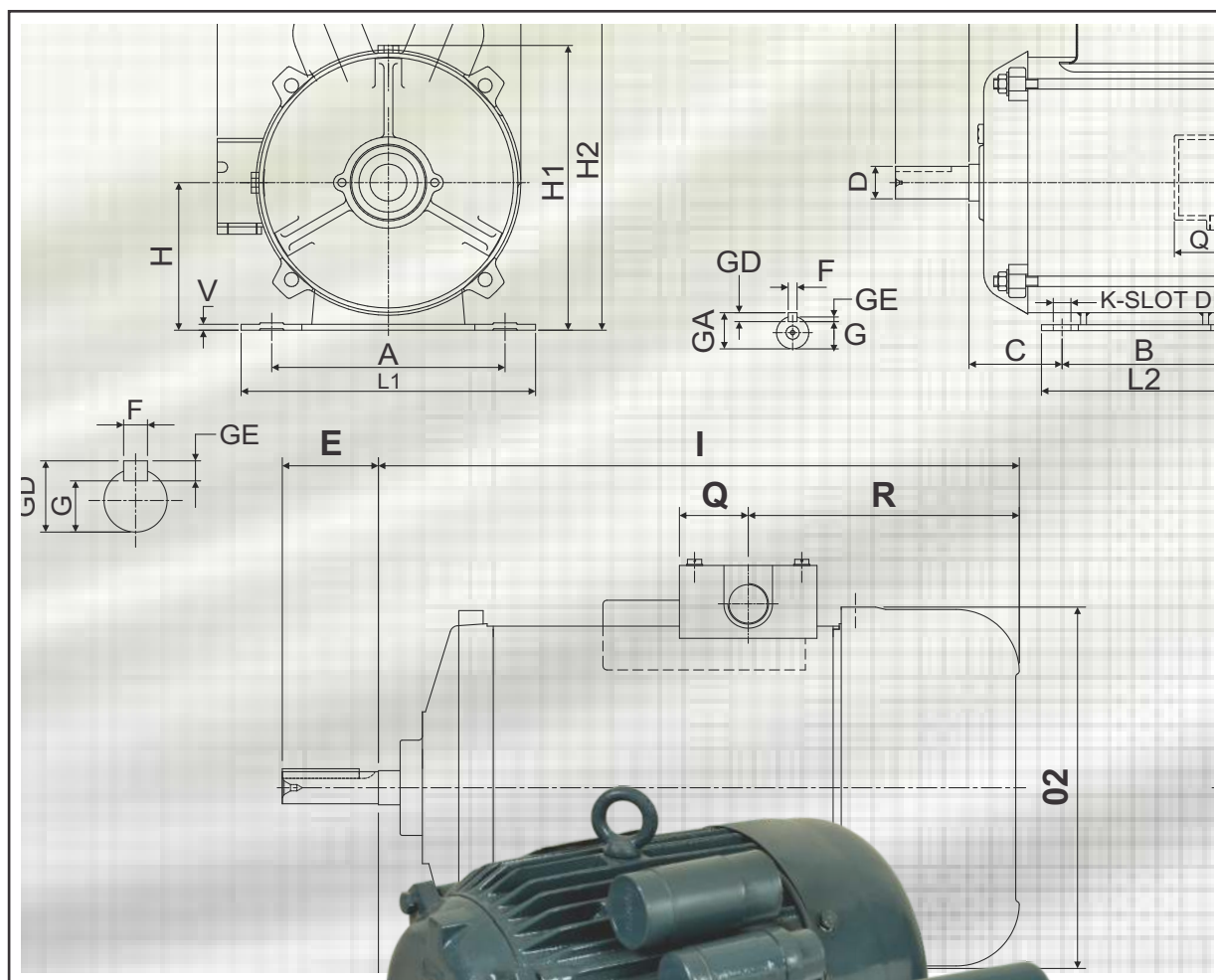


# MMS SERIES

## Single Phase Induction Motors



MOTORS



50 Hz



**THRASHER**



**FLOOR POLISHING MACHINE**



**MASALA GRINDER**



**DRILL MACHINE**

These motor are predominantly used for general purpose application in MS Rolled body construction. These are available in IEC 56 to 100S frame with foot and flange mounted arrangements. Customized mounting can be provided on request.

The highly efficient double capacitor designs in this series are suitable for any application requiring high starting torques are suitable for almost any application requiring higher starting torques such as Atta Chakki, Domestic Flor Mill, Tower Hoist, Air Compressor, Thresher.

**Salient Features:**

- High Starting Torque
- Suitable for wide Voltage
- ISI Mark available on select models
- Motors available in Sheet metal body construction.

**PERFORMANCE**

CONST.	H.P.	OUTPUT WATT	FRAME	RATED SPEED	FULL LOAD CURRENT	POWER FACTOR	EFF. %	STARTING TORQUE	BEARING		ENCL.
									DE	NDE	
SM	0.25	180	B 56	1435	2.00	0.65	64 %	245 %	6203	6203Z	SP/TEFC
SM	0.50	370	B 56	1435	3.30	0.80	64 %	250 %	6203	6203Z	SP/TEFC
SM	1.00	750	B 56	1440	4.90	0.90	74 %	260 %	6203	6203Z	SP/TEFC
SM	1.50	1100	100 S	1445	6.80	0.92	77 %	250 %	6205	6304	TEFC
SM	2.00	1500	100 S	1455	10.70	0.83	79 %	240 %	6205	6304	TEFC

• SP-SCREEN PROTECTED DRIP PROOF

• TEFC-TOTALLY ENCLOSED FAN COOLED



**DOMESTIC FLOOR MILL**



**WOOD WORKING MACHINE**



**CHAFF CUTTER**



**AIR COMPRESSORS**

Cast Iron Frame motor are most popular general purpose motors in Asia. The robust, highly reliable designs are suitable for operation for a wide range of applications such as Coupled Pump, Pulveriser, Rice Huller, Garage Compressor, Thresher, Floor Polisher. These motor are can run for years without any trouble. These are offered in IEC 80 to 112 Frame in Totally Enclosed Fan Cooled Construction.

**Salient Features:**

- High Starting Torque
- Suitable for wide Voltage
- ISI Mark available on select models
- Motors available in Cast Iron construction.

**PERFORMANCE**

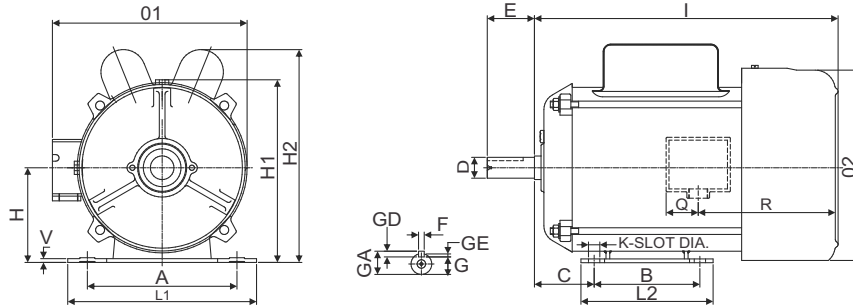
CONST.	H.P.	OUTPUT WATT	FRAME	RATED SPEED	FULL LOAD CURRENT	POWER FACTOR	EFF. %	STARTING TORQUE	BEARING		ENCL.
									DE	NDE	
CI	1.00	750	90 L	1440	4.90	0.90	75 %	260 %	6205Z	6203Z	TEFC
CI	1.50	1100	112 M	1445	6.80	0.92	77 %	250 %	6205	6304	TEFC
CI	2.00	1500	112 M	1455	9.90	0.86	79 %	240 %	6205	6304	TEFC
CI	3.00	2200	112 M	1460	12.70	0.92	82 %	230 %	6205	6304	TEFC

• SP-SCREEN PROTECTED DRIP PROOF

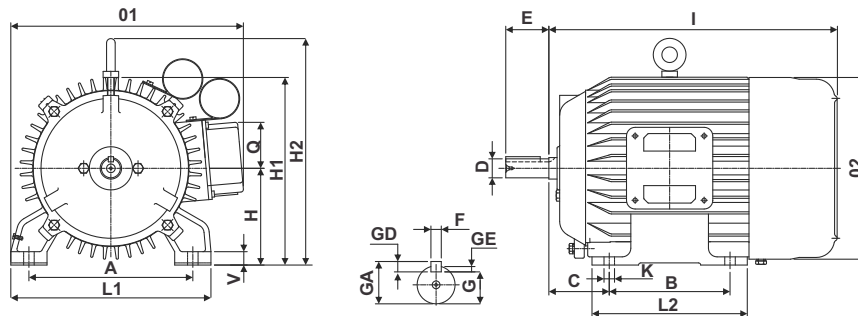
• TEFC-TOTALLY ENCLOSED FAN COOLED

## PERFORMANCE

### FOOT-MOUNTED MOTOR : INDIAN STANDARD

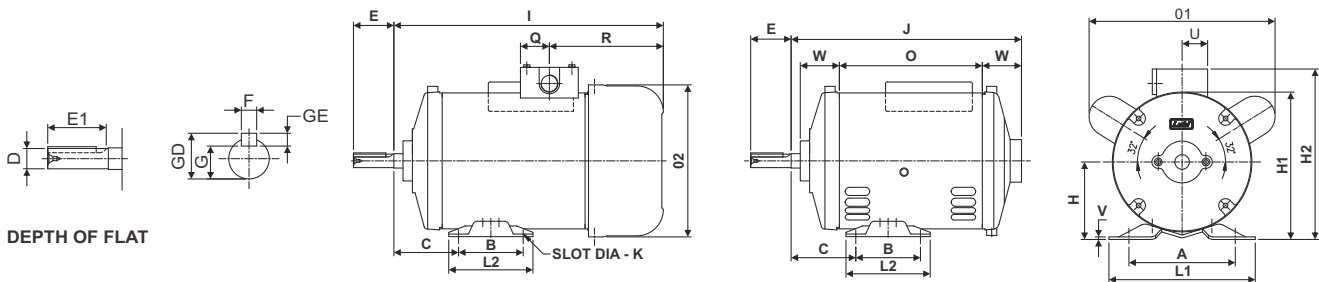


HP/KW	ENCL	RPM	FRAME SIZE	A	B	C	D	E	F	GD	GE	G	GA	H	H1	H2	I	K	L1	L2	O1	O2	Q	R	V
1.5/1.1	TEFC	1440	100S	160	112	63	24	50.5	8.0	7.0	4.0	20	27	100	205.2	228.5	322	12	200	140	244	210	34	140	4
2.0/1.5	TEFC	1440	100 S	160	112	63	24	50.5	8.0	7.0	4.0	20	27	100	205.2	228.5	322	12	200	140	244	210	34	140	4



HP/KW	ENCL	RPM	FRAME SIZE	A	B	C	D	E	F	GD	GE	GA	G	H	H1	H2	I	K	L1	L2	O1	O2	Q	V
1.0/0.75	TEFC	1440	90L	140	125	56	24	50	8.0	7.0	4.0	27.0	20.0	90	178	230	284.5	10.2	172	158	230	178	60.0	11.0
1.5/1.1	TEFC	1440	112M	190	140	70	28	60	8.0	7.0	4.0	31.0	24.0	112	220	262.5	334.2	12.2	232	180	270	210	53.25	15.5
2.0/1.5	TEFC	1440	112M	190	140	70	28	60	8.0	7.0	4.0	31.0	24.0	112	220	262.5	334.2	12.2	232	180	270	210	53.25	15.5
3.0/2.2	TEFC	1440	112M	190	140	70	28	60	8.0	7.0	4.0	31.0	24.0	112	220	262.5	334.2	12.2	232	180	295	210	115.5	15.5

### FOOT-MOUNTED B56 MOTOR : BRITISH STANDARD



HP/KW	ENCL	A	B	C	D	E	E1	F	G	GD	GE	H	H1	H2	I	J	W	K	L1	L2	O1	O2	Q	U	O	R	V
0.25/0.18	TEFC	125	76	66	16	47.5	38	4.762	13.2	18.5	4.8	88.9	171	200	-	-	-	9	172	99	185	-	34	38	-	-	3
0.25/0.18	SPDP	125	76	66	16	47.5	38	4.762	13.2	18.5	4.8	88.9	171	200	-	217	44	9	172	99	185	175	34	38	129	89	3
0.5/0.37	TEFC	125	76	66	16	47.5	38	4.762	13.2	18.5	4.8	88.9	171	200	282	-	-	9	172	99	240	178.5	34	38	-	134	3
0.5/0.37	SPDP	125	76	66	16	47.5	38	4.762	13.2	18.5	4.8	88.9	178	200	-	236	44	9	172	99	240	175	34	38	149	89	3
1.0/0.75	TEFC	125	76	66	16	47.5	38	4.762	13.2	18.5	4.8	88.9	178	200	307	-	-	9	172	99	240	178.5	34	38	-	134	3
1.0/0.75	SPDP	125	76	66	16	47.5	38	4.762	13.2	18.5	4.8	88.9	178	200	-	262	44	9	172	99	240	175	34	38	174	89	3

## LUBI INDUSTRIES LLP

Near Kalyan Mills, Naroda Road, Ahmedabad-380 025, INDIA.

Phone : +91 - 79 - 61700100, Fax No. :+91 - 79 - 61700399.

Sales Enquiries: [indsales@lubipumps.com](mailto:indsales@lubipumps.com), [mktsales@lubipumps.com](mailto:mktsales@lubipumps.com)

[www.lubipumps.com](http://www.lubipumps.com)

Product Improvement is a continuous process at 'LUBI'. The data given in this publication is therefore subject to revision.

000000000000



ISO 9001

ISO 14001

Customer Care Number : 9824200800