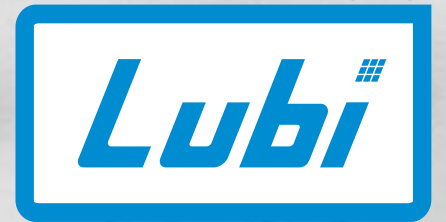


® ©



Submersible

Pumps • Motors

50Hz **10''**
Submersible Pump

Pumping Solution

Submersible bore well pumps

Construction

- ❑ Submersible motor & pumps for deep wells of 10'' (DN 250 mm).
- ❑ Sized for connection to the motor according to NEMA standards up to 8'' motor joining.
- ❑ Delivery casing with built-in non-return valve.
- ❑ **Impellers:**
 - Mixed flow impellers**
 - I150, GI220
- ❑ Connection: Screwed pipe connection with BSP thread as standard.

Applications

- ❑ Water supply
- ❑ Irrigation
- ❑ Civil
- ❑ Industrial
- ❑ Fire fighting

Performance range

- ❑ Flow range: Max. 5000 m³/h
- ❑ Head range: Max. 549 metres

Operating conditions

- ❑ Liquid temperature: 0°C to +45°C
- ❑ Max. sand content into the water: 50 g/m³
- ❑ Max. starts per hour: 20 at regular intervals
- ❑ Direction of rotation: Clockwise as seen from the pump coupling side

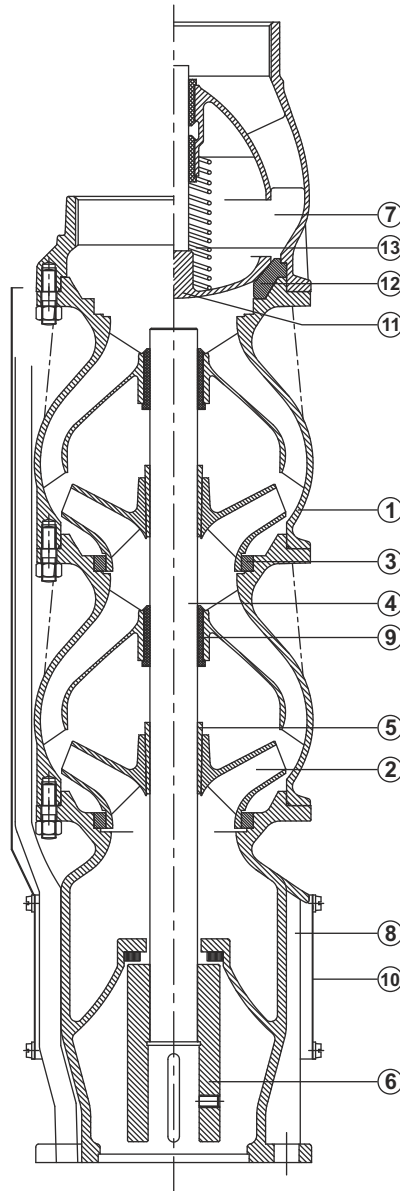


Construction

Submersible bore well pumps

10''

Sectional drawing



I150, I220

With 10" Motor joining

Materials

Pos.	Component	"I" type pump
1	Bowl / Diffuser	CF8/CF8M
2	Impeller	CF8/CF8M
3	Neck ring	POM
4	Shaft	AISI 431
5	Shaft sleeve	AISI 304
6	Couple	AISI 316
7	Delivery casing / NRV	CF8/CF8M
8	Suction case	CF8/CF8M
9	Bearing bush	EPDM
10	Strainer	AISI 304
11	Valve	AISI 304
12	Valve seat	NBR
13	Valve Spring	AISI 304

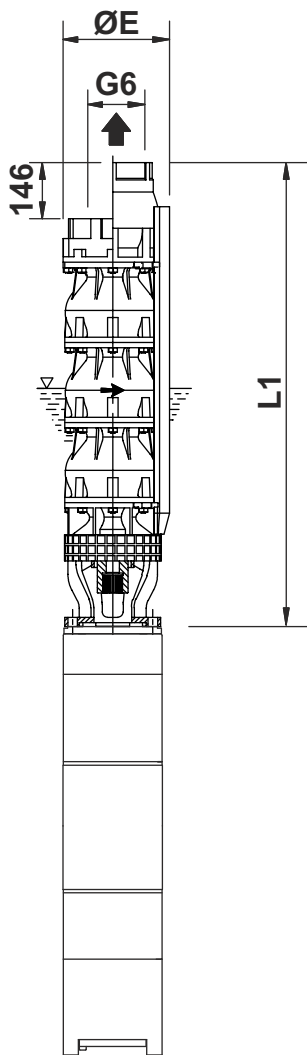
Technical data

Mixed flow 10" submersible bore well pumps

I150

Performance chart

Pump type	kW	HP	Q m ³ /h	0	667	1333	2000	2500	3000
				Q l/min	0	40	80	120	150
I150 01/1C	11	15.0	H m	34	31	29	25	19	12
I150 01/1B	13	17.5		39	36	34	30	25	18
I150 01/1A	15	20.0		42	40	38	34	29	22
I150 02/2C	22	30.0		67	63	58	49	38	23
I150 02/2B	26	35.0		79	74	70	60	50	36
I150 02/2A	30	40.0		86	81	77	68	59	45
I150 03/2C	37	50.0		112	105	98	85	69	48
I150 03/2B	45	60.0		123	116	109	96	81	61
I150 03/2A	45	60.0		129	121	115	102	88	68
I150 03	55	75.0		134	126	121	109	94	74



Dimensions & weights of only Pump

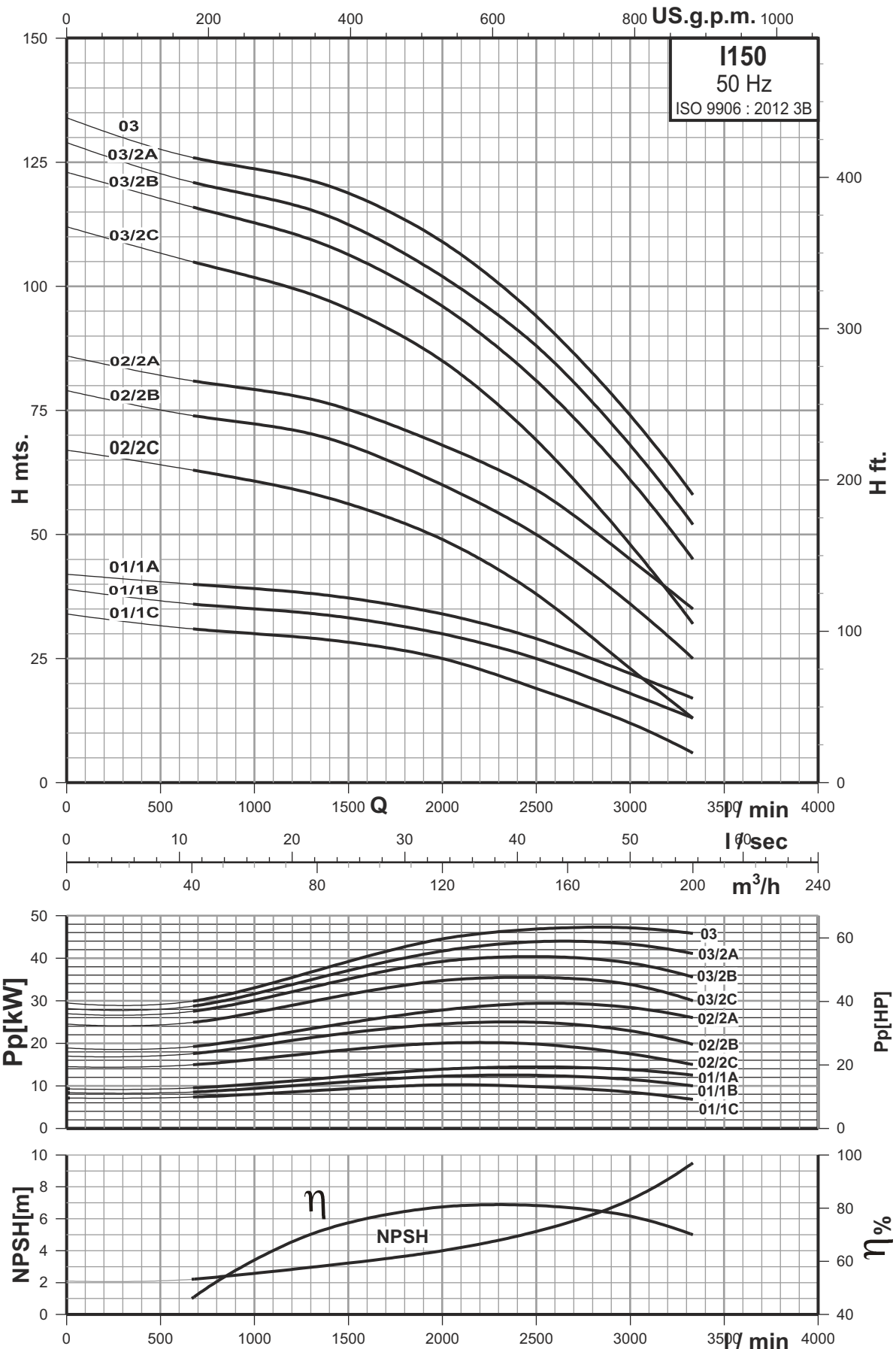
Pump Type	Motor Joining Size	ØE [mm]	L1 [mm]	Pump Gross weight [kg]	Pump Gross volume [m ³]
I150 01/1C	6"	255	705	73	0.12
I150 01/1B	6"	255	705	73	0.12
I150 01/1A	6"	255	705	73	0.12
I150 02/2C	6"	255	921	99	0.15
I150 02/2B	6"	255	921	99	0.15
I150 02/2A	6"	255	921	99	0.15
I150 03/2C	6"	255	1137	122	0.17
I150 03/2B	8"	255	1137	122	0.17
I150 03/2A	8"	255	1137	122	0.17
I150 03	8"	255	1137	122	0.17

Note: ØE = For single cable motor maximum diameter of pump inclusive of cable guard.
 For two cable motor maximum diameter of pump inclusive of cable guard will increase by 6 mm.
 All dimensions in mm unless otherwise noted.

Performance curves

Mixed flow 10" submersible bore well pumps

I150



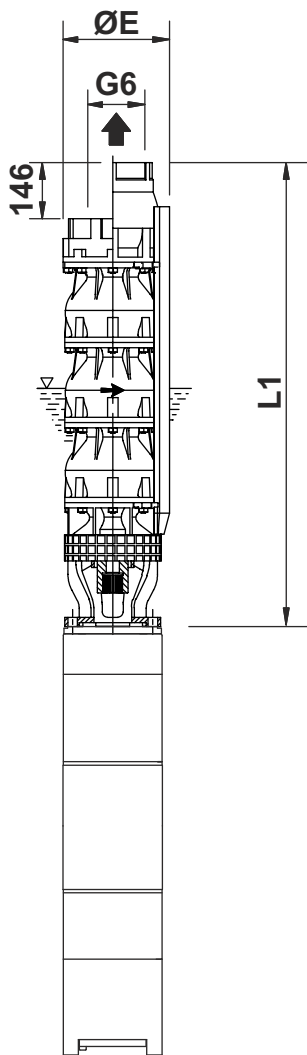
Technical data

Mixed flow 10" submersible bore well pumps

I150

Performance chart

Pump type	kW	HP	Q m ³ /h	0	667	1333	2000	2500	3000
			Q l/min	0	40	80	120	150	180
I150 04/2C	55	75.0	H m	157	147	138	122	101	74
I150 04/2B	67	90.0		169	158	150	133	113	87
I150 04	67	90.0		178	168	161	145	126	98
I150 05/2C	67	90.0		201	189	178	158	132	98
I150 05/2B	75	100.0		212	199	189	168	144	110
I150 05	93	125.0		221	209	200	179	156	122
I150 06/2C	93	125.0		245	231	218	194	163	122
I150 06/1B	93	125.0		263	248	236	211	183	143
I150 06	110	150.0		273	258	247	223	194	154



Dimensions & weights of only Pump

Pump Type	Motor Joining Size	ØE [mm]	L1 [mm]	Pump Gross weight [kg]	Pump Gross volume [m ³]
I150 04/2C	8"	255	1353	149	0.20
I150 04/2B	8"	255	1353	149	0.20
I150 04	8"	255	1353	149	0.20
I150 05/2C	8"	255	1569	176	0.24
I150 05/2B	8"	255	1569	176	0.24
I150 05	8"	255	1569	176	0.24
I150 06/2C	8"	255	1785	202	0.27
I150 06/1B	8"	255	1785	202	0.27
I150 06	10"	255	1822	207	0.27

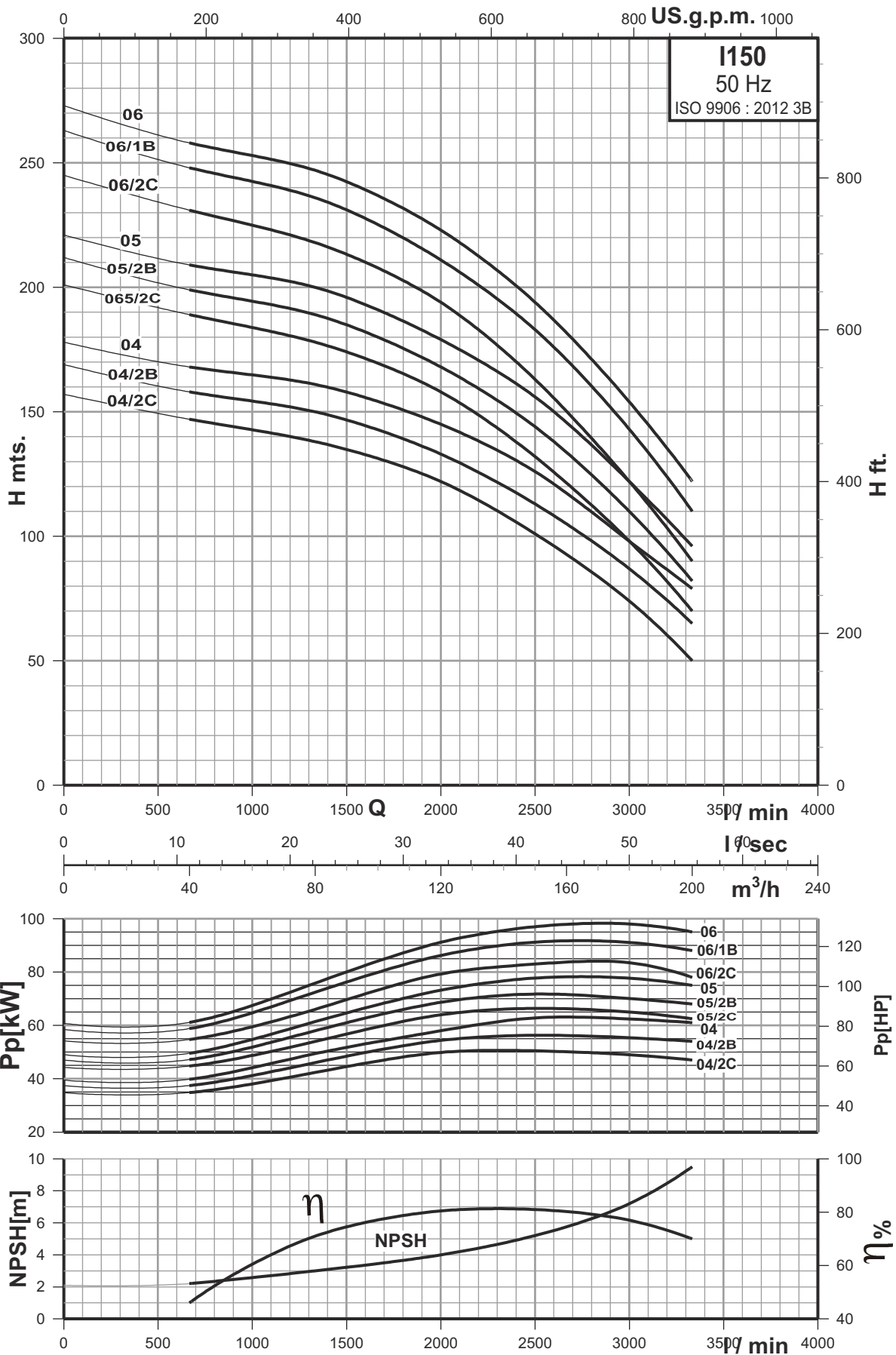
Note: ØE = For single cable motor maximum diameter of pump inclusive of cable guard.
For two cable motor maximum diameter of pump inclusive of cable guard will increase by 6 mm.

All dimensions in mm unless otherwise noted.

Performance curves

Mixed flow 10" submersible bore well pumps

I150



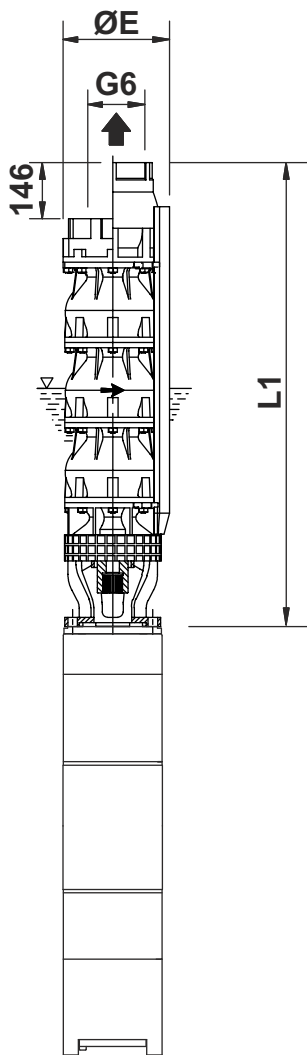
Technical data

Mixed flow 10" submersible bore well pumps

I150

Performance chart

Pump type	kW	HP	H m						
			Q m ³ /h	0	667	1333	2000	2500	3000
			Q l/min	0	40	80	120	150	180
I150 07/3B	110	150.0		301	284	270	240	207	159
I150 07/1B	110	150.0		312	294	280	252	219	172
I150 08/3B	135	180.0		349	329	313	279	241	189
I150 08	135	180.0		362	342	327	295	257	203
I150 09/3B	150	200.0		395	372	354	316	274	213
I150 09	150	200.0		410	387	371	335	292	231
I150 10	185	250.0		455	430	412	372	324	257
I150 11	185	250.0		499	472	452	407	355	281



Dimensions & weights of only Pump

Pump Type	Motor Joining Size	ØE [mm]	L1 [mm]	Pump Gross weight [kg]	Pump Gross volume [m ³]
I150 07/3B	10"	255	2038	233	0.30
I150 07/1B	10"	255	2038	233	0.30
I150 08/3B	10"	255	2254	263	0.32
I150 08	10"	255	2254	263	0.32
I150 09/3B	10"	255	2470	285	0.35
I150 09	10"	255	2470	285	0.35
I150 10	10"	280	2686	312	0.38
I150 11	10"	280	2902	339	0.40

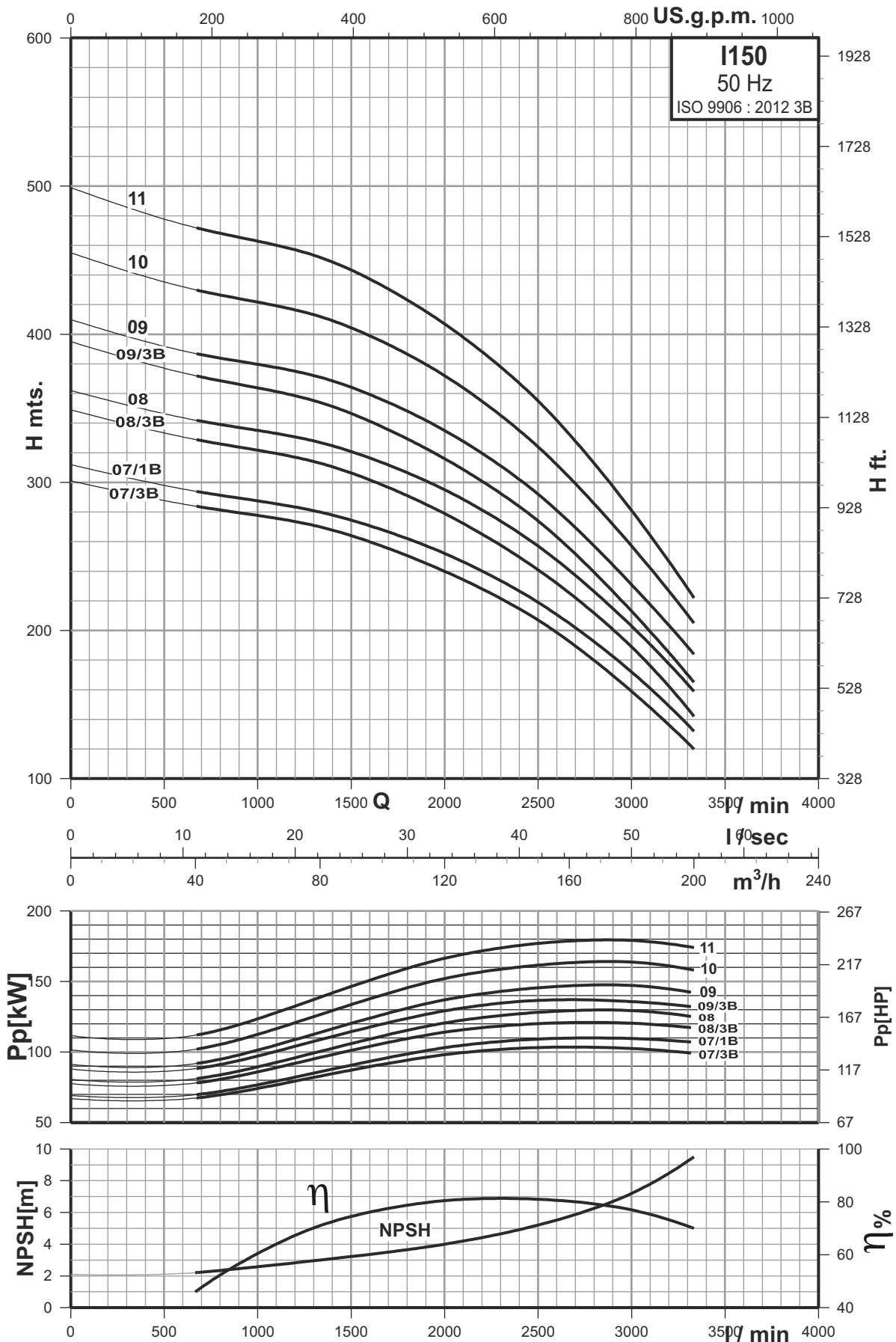
Note: ØE = For single cable motor maximum diameter of pump inclusive of cable guard.
For two cable motor maximum diameter of pump inclusive of cable guard will increase by 6 mm.

All dimensions in mm unless otherwise noted.

Performance curves

Mixed flow 10" submersible bore well pumps

I150



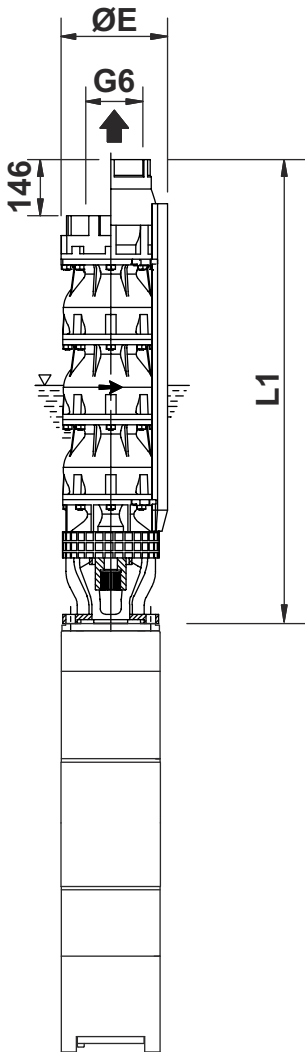
Technical data

Mixed flow 10" submersible bore well pumps

I220

Performance chart

Pump type	kW	HP	Q m ³ /h	0	1000	2000	3000	4000	5000
			Q l/min	0	60	120	180	240	300
I220 01/1C	15	20.0	H m	32.5	30.4	27.2	22.3	14.5	1.0
I220 01/1B	18.5	25.0		37.2	34.9	32.1	27.9	20.3	8.3
I220 01/1A	22	30.0		41.3	38.7	35.9	32.4	25.0	13.6
I220 01	26	35.0		44.7	41.6	38.8	35.6	28.7	18.3
I220 02/2C	30	40.0		65.5	61.2	54.9	45.8	29.5	2.0
I220 02/2B	37	50.0		75.4	70.8	65.1	56.9	41.7	16.8
I220 02/2A	45	60.0		83.9	78.4	72.9	65.8	51.1	28.6
I220 02	55	75.0		89.4	83.2	77.6	71.2	57.5	36.8
I220 03/2B	67	90.0		119.9	112.3	103.8	92.2	70.5	35.3
I220 03/2A	67	90.0		128.5	120.1	111.6	101.2	79.8	46.8
I220 03	75	100.0		134.1	124.8	116.3	106.7	86.3	55.1



Dimensions & weights of only Pump

Pump Type	Motor Joining Size	ØE [mm]	L1 [mm]	Pump Gross weight [kg]	Pump Gross volume [m ³]
I220 01/1C	6"	255	705	72	0.12
I220 01/1B	6"	255	705	72	0.12
I220 01/1A	6"	255	705	72	0.12
I220 01	6"	255	705	72	0.12
I220 02/2C	6"	255	921	97	0.15
I220 02/2B	6"	255	921	97	0.15
I220 02/2A	8"	255	921	97	0.15
I220 02	8"	255	921	97	0.15
I220 03/2B	8"	255	1137	118	0.17
I220 03/2A	8"	255	1137	118	0.17
I220 03	8"	255	1137	118	0.17

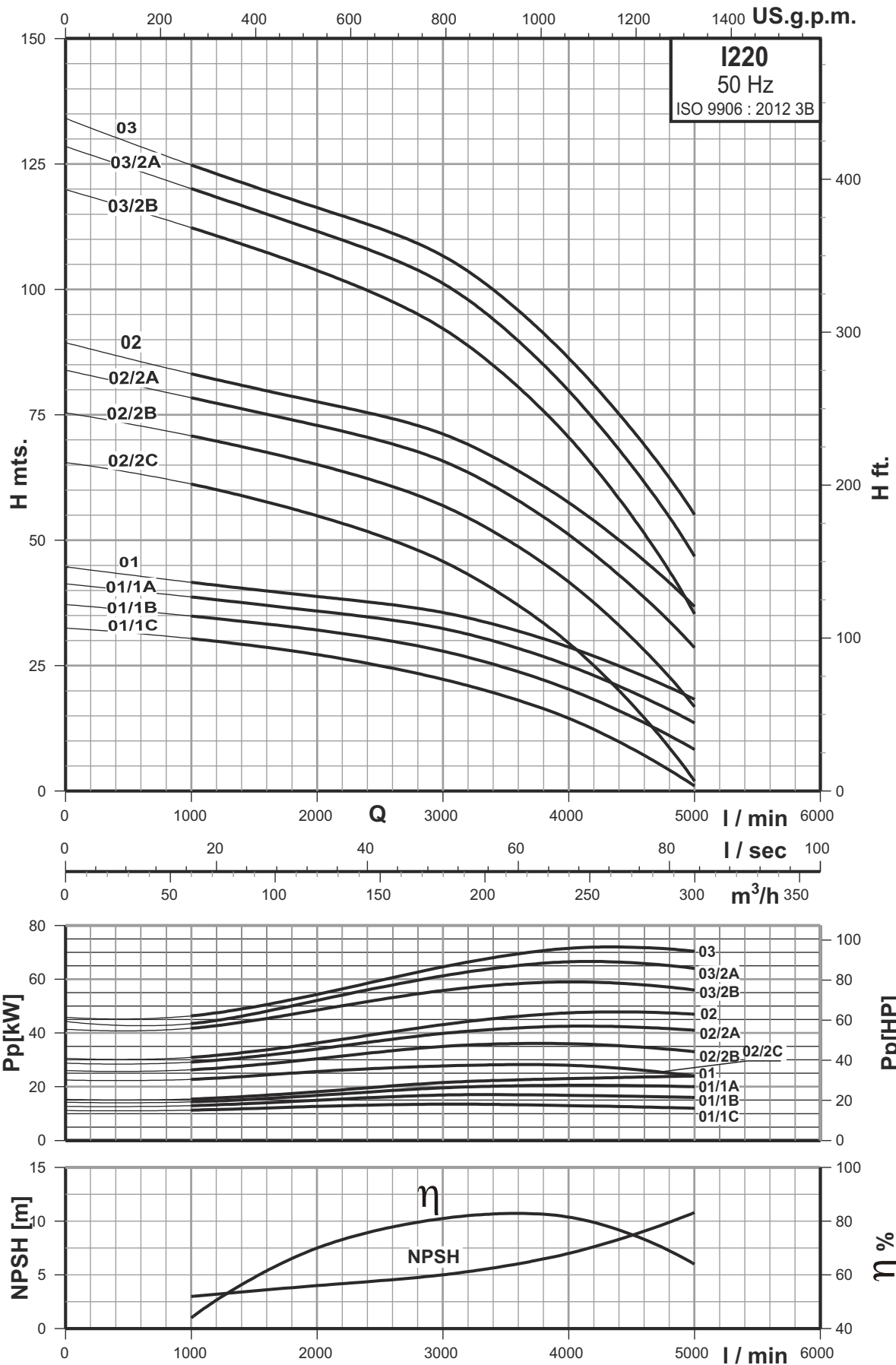
Note: ØE = For single cable motor maximum diameter of pump inclusive of cable guard.
For two cable motor maximum diameter of pump inclusive of cable guard will increase by 6 mm.

All dimensions in mm unless otherwise noted.

Performance curves

Mixed flow 10" submersible bore well pumps

I220



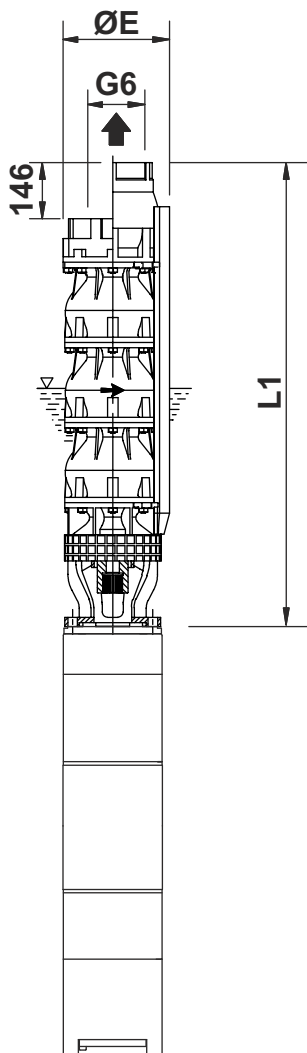
Technical data

Mixed flow 10" submersible bore well pumps

I220

Performance chart

Pump type	kW	HP	Q m ³ /h	0	1000	2000	3000	4000	5000
			Q l/min	0	60	120	180	240	300
I220 04/2B	93	125.0	H m	165	155	143	128	99	54
I220 04/2A	93	125.0		173	162	150	137	109	66
I220 04	110	150.0		182	170	159	146	119	79
I220 05/2B	110	150.0		215	201	186	168	133	79
I220 05	135	180.0		231	213	199	182	148	99
I220 06/2B	150	200.0		262	245	228	206	165	100
I220 06	150	200.0		274	255	238	219	178	118
I220 07/2B	185	250.0		305	283	266	242	192	118
I220 07	185	250.0		320	297	278	256	208	138
I220 08/2B	185	250.0		351	328	305	277	223	138



Dimensions & weights of only Pump

Pump Type	Motor Joining Size	ØE [mm]	L1 [mm]	Pump Gross weight [kg]	Pump Gross volume [m ³]
I220 04/2B	8"	255	1353	144	0.20
I220 04/2A	8"	255	1353	144	0.20
I220 04	10"	255	1390	148	0.20
I220 05/2B	10"	255	1606	175	0.24
I220 05	10"	255	1606	175	0.24
I220 06/2B	10"	255	1822	199	0.27
I220 06	10"	255	1822	199	0.27
I220 07/2B	10"	280	2038	224	0.30
I220 07	10"	280	2038	224	0.30
I220 08/2B	10"	280	2254	253	0.32

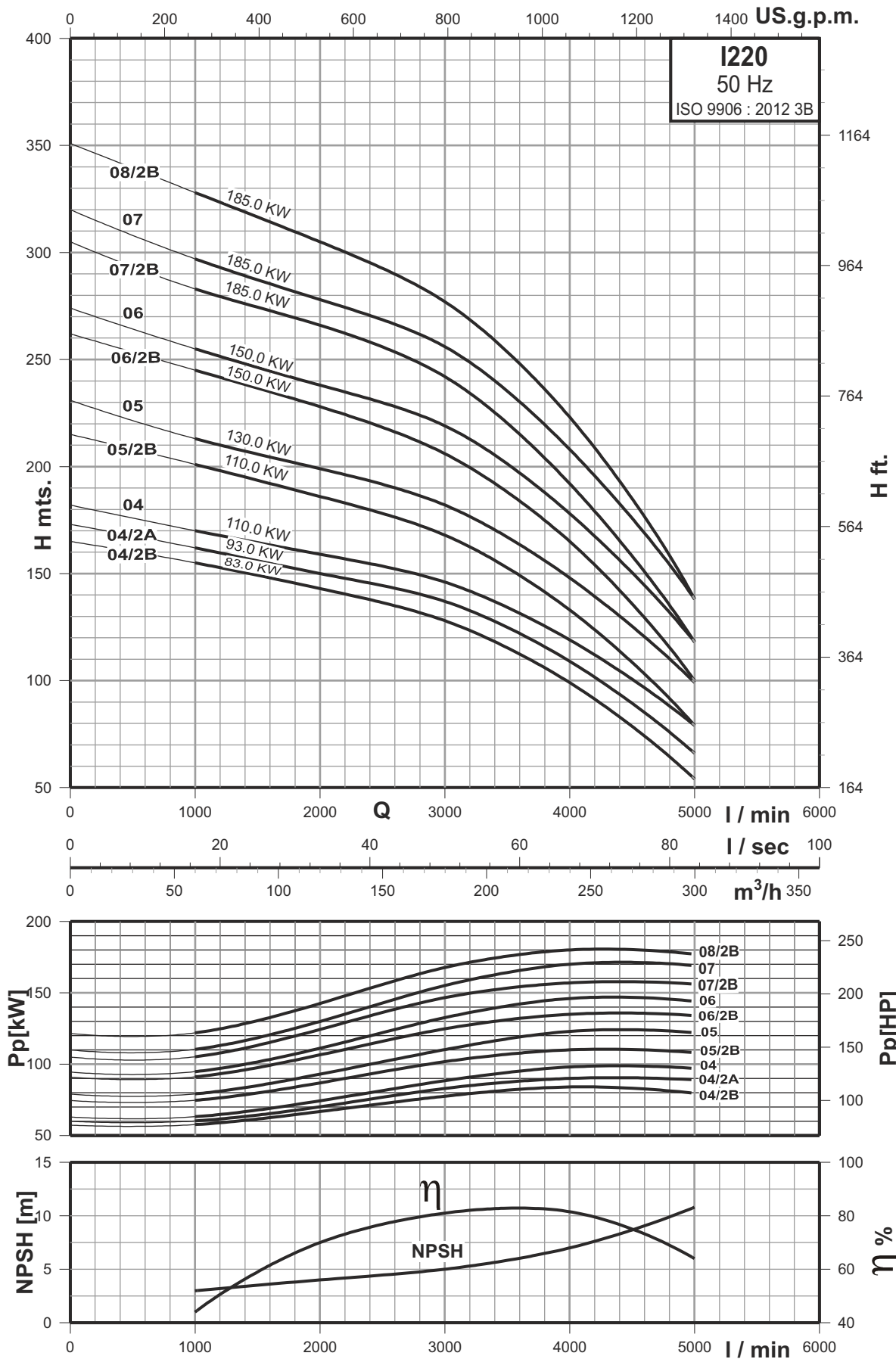
Note: ØE = For single cable motor maximum diameter of pump inclusive of cable guard.
For two cable motor maximum diameter of pump inclusive of cable guard will increase by 6 mm.

All dimensions in mm unless otherwise noted.

Performance curves

Mixed flow 10" submersible bore well pumps

I220



LUBI INDUSTRIES LLP

Near Kalyan Mills, Naroda Road, Ahmedabad-380 025, INDIA.
Phone : +91 - 79 - 61700100, Fax No. :+91 - 79 - 61700399.

Sales Enquiries: indsales@lubipumps.com, expsales@lubipumps.com

www.lubipumps.com

Product Improvement is a continuous process at 'LUBI'. The data given in this publication is therefore subject to revision.

00.01.020221.0154



ISO 9001



ISO 14001

Customer Care Number : 09824200800